

PWS

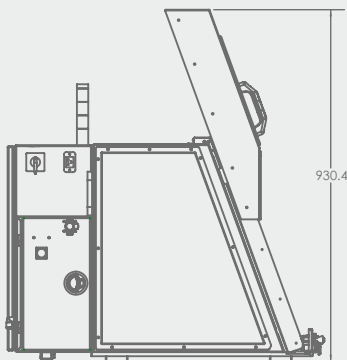
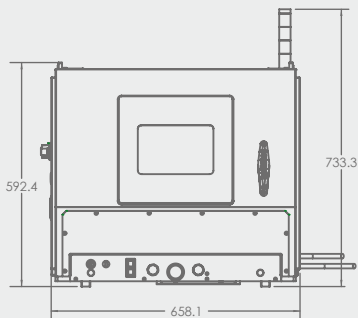
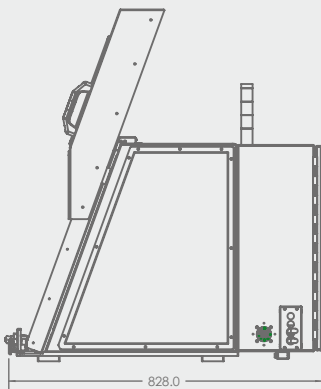
Mini
Laser Work Station



- User friendly and flexible design
- Economical and field proven
- Reliable and robust
- Fully integrated to fiber laser

LASAG
A ROFIN COMPANY

Mini



Specifications

Machine specifications

Linear axes	travel	feed rate max.	position repeatability
X	150 mm	3.5 m/min	12 µm
Y	150 mm	3.5 m/min	12 µm
Z	100 mm	3.5 m/min	25 µm

Optional: Direct drive rotary table with air actuated collet (5c collet)

Manual rotation of fiber processing head ± 90°

Manual slide for focusing fiber processing head 13 mm

Work area

Table size	275 x 170 mm
Table load capacity	20 kg
Number of T-slots	2 for M5 screw (Thompson T-nuts)

Machine line power w/o laser source

Line voltage	120 VAC - 230 VAC (+10 - 15%)
Fuse protection	10 A (120 VAC), 5 A (230 VAC)
Line frequency	50 Hz - 60 Hz

Weight

approximate weight	100 kg
--------------------	--------

Control specification

Programming standards	EIA RS274-D standard G & M codes
	Multiple programs possible with chaining command
	Fanuc® -compatible NC code subset (FC controlled)
	CAD/CAM compatible

Safety features

Class one safety enclosure according to FDA-CDRH / CE

Emergency stop switch on front panel

Two limit switches on each axis of travel

Keylock on electronic control box

Subject to change



Switzerland

LASAG AG • C.F.L. Lohnerstrasse 24 • P.O. Box 17 • CH-3602 Thun • Switzerland
Phone +41-33-227 4545 • Fax +41-33-227 4573 • lasers@lasag.ch • www.lasag.com

USA

ROFIN-LASAG Lasers • A Division of ROFIN-SINAR, INC.
1617 Barclay Boulevard • Buffalo Grove, IL 60089 • USA
Phone +1-847-483 6300 • Fax +1-847-483 6333 • lasers@lasag.com